



W1

One Ear Clip

The use of one ear clips is an economical solution for many simple hose assemblies, as they can be used with air or other fluids.

The practical design of ear clips means that they are tamper-proof once mounted.

The edges are rounded to avoid damage to the hose. One ear clips are easy, fast and safe to mount.

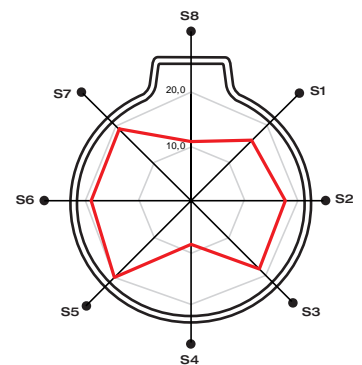
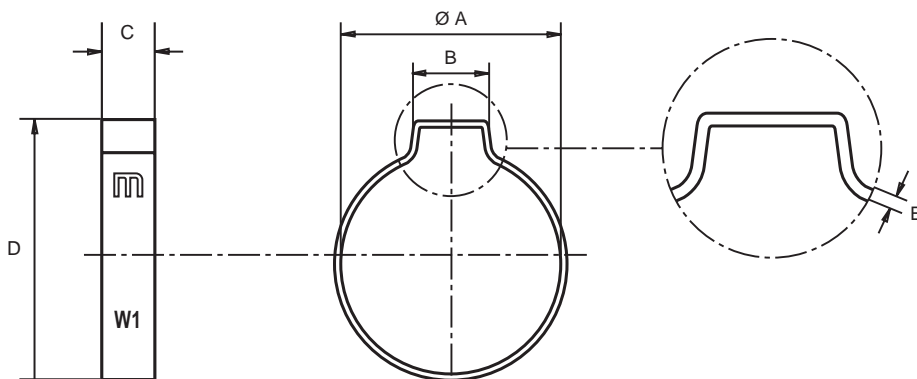
* Please see pages 84 and 85 for further information regarding application tools.

* Special diameters available on request.

One Ear Clip - A10R W1

Application Ø		Part n° W1	A	B	C	D	E	Box Quantity (MOQ)	Packing	Colour
mm min. - max.	inches min. - max.									
7-9	9/32-11/32	03012080	9,3	5,5	6,0	13,0	0,8	1000	8000	SILVER-WHITE
8-10	5/16-13/32	03012072	10,3	6,0	6,0	14,0	0,8	1000	8000	SILVER-WHITE
9-11	11/32-27/16	03012013	11,3	6,5	6,5	15,0	0,8	1000	8000	SILVER-WHITE
10-12	13/32-15/32	03012021	12,3	7,0	6,5	16,0	0,8	500	8000	SILVER-WHITE
11-13	7/16-17/32	03012030	13,3	7,5	6,5	17,0	0,9	500	8000	SILVER-WHITE
12-14	15/32-9/16	03012048	14,3	8,0	7,0	18,5	1,0	500	4000	SILVER-WHITE
14-16	9/16-5/8	03012056	16,3	8,5	7,0	20,5	1,1	500	4000	SILVER-WHITE
16-18	5/8-23/32	03012064	18,5	9,5	7,0	23,0	1,1	500	4000	SILVER-WHITE

W1 Band: St4 steel (DIN1624) **Finish:** Silver-white Cr3 Zinc-Plated



Polar diagram

● Sectors	S1	S2	S3	S4	S5	S6	S7	S8
— Force Kg	16,1	17,8	18,1	8,2	20,4	18,8	19,8	11,2

Torque / Efficiency [Nm / daN]