



## Two Ear Clip

The use of two ear clips is an economical solution for many simple hose assemblies, used with air or other fluids.

The two ears give the clip extra grip and help to maintain constant pressure around the hose. Fitting is more flexible and exact. The practical design of Two-ear clips means that they clamp firmly on to the assembly and are tamperproof once mounted.

The edges are rounded to avoid damage to the hose. Two ear clips offer great versatility in simple hose assemblies.

\* Please see pages 84 and 85 for further information regarding application tools.

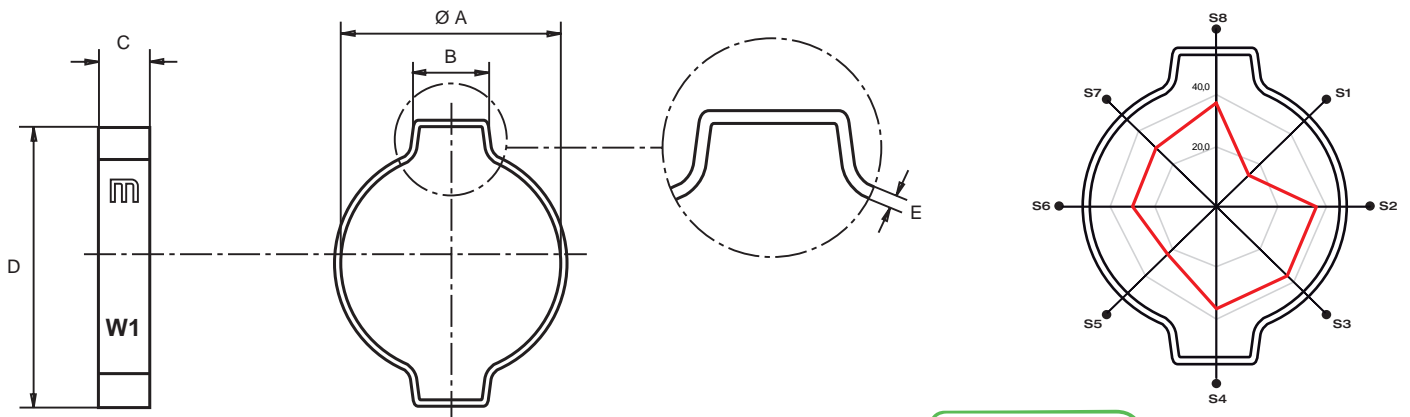
\* Special diameters available on request.

**W1**

### Two Ear Clip - A20R W1

Application Ø		Part n° W1	A	B	C	D	E	Box Quantity (MOQ)	Packing	Colour
mm min. - max.	inches min. - max.									
5-7	3/16-9/32	03012101	7,3	4,3	6,0	11,0	0,6	2000	16000	SILVER-WHITE
7-9	9/32-11/32	03012110	9,3	4,8	6,0	13,5	0,8	1000	16000	SILVER-WHITE
9-11	11/32-7/16	03012128	11,3	5,3	6,5	17,0	0,8	1000	8000	SILVER-WHITE
10-12	13/32-15/32	03012099	12,3	5,5	6,5	18,0	0,9	1000	8000	SILVER-WHITE
11-13	7/16-17/32	03012136	13,3	5,8	6,5	19,0	1,0	500	8000	SILVER-WHITE
13-15	17/32-19/32	03012144	15,3	6,3	7,0	21,5	1,1	500	4000	SILVER-WHITE
14-17	9/16-11/16	03012152	17,5	6,6	7,0	24,0	1,1	500	4000	SILVER-WHITE
15-18	19/32-23/32	03012160	18,5	7,0	7,5	25,0	1,1	500	500	SILVER-WHITE
17-20	11/16-25/32	03012179	20,5	7,6	7,5	27,0	1,1	250	2000	SILVER-WHITE
18-21	3/4-27/32	03012187	21,5	7,9	8,0	28,0	1,1	250	2000	SILVER-WHITE
20-23	11/16-29/32	03012195	23,5	8,5	8,0	31,0	1,1	250	2000	SILVER-WHITE
22-25	7/8-2/2	03012208	25,5	9,1	8,5	33,0	1,3	200	1600	SILVER-WHITE
23-27	29/32-1-1/16	03012216	27,5	9,4	8,5	35,0	1,3	200	1600	SILVER-WHITE
25-28	2/2-1-3/32	03012224	28,5	10,0	9,0	36,0	1,3	200	200	SILVER-WHITE
28-31	1-3/32-1-7/32	03012232	31,5	10,6	9,0	39,0	1,3	100	800	SILVER-WHITE
31-34	1-7/32-1-11/32	03012240	34,5	11,0	9,5	42,0	1,3	100	800	SILVER-WHITE
34-37	1-11/32-1-15/32	03012259	37,5	11,5	9,5	46,0	1,5	100	800	SILVER-WHITE
37-40	1-15/32-1-19/32	03012267	40,5	12,0	10,0	49,0	1,5	100	100	SILVER-WHITE
40-43	1-19/32-1-11/16	03012275	43,5	12,5	10,0	53,0	1,5	75	600	SILVER-WHITE
43-46	1-11/16-1-13/16	03012283	46,5	13,0	10,5	56,0	1,5	75	300	SILVER-WHITE

**W1 Band:** St4 steel (DIN1624) **Finish:** Silver-white Cr3 zinc-plated



#### Polar Diagram

● Sectors	S1	S2	S3	S4	S5	S6	S7	S8
— Force Kg	15,2	32,6	32,6	33,9	22,2	27,7	28,2	35,1
Min. value	15,2							

Torque / Efficiency [ Nm / daN ]