



**W2**

## Open worm-drive clip

The reduced dimensions of the housing of this clip make it the ideal choice for applications where space is limited.

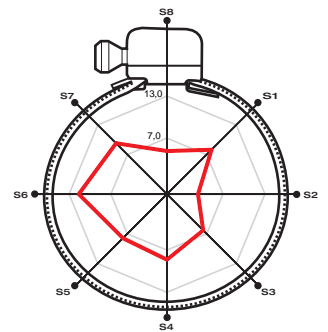
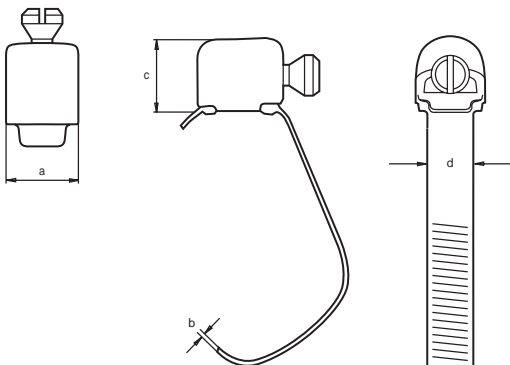
It is especially recommended for clamping small bore thin-walled hoses.

\* The maximum pressure may vary depending on the type of hose and coupling used.

### Open worm-drive clip W2

Application Ø		Part n° W2	a	b	c	d	Max. values Torque (Nm)	Max. values Pressure (Bars)	Box Quantity (MOQ)	Packing
mm min. - max.	inches min. - max.									
7-11	9/32 - 7/16	03016401	7,5	0,4	7	5	1,5	35	100	1600
11-19	7/16 - 3/4	03016410	7,5	0,4	7	5	1,5	35	100	1600

**W2 Screw and housing:** Qst 34-3 Mild Steel (DIN 1.0213) Grey-white Cr3 zinc-plated **Band:** Stainless steel X8CR 17 (DIN 1.4016) (AISI-430)



#### Polar Diagram

● Sectors	S1	S2	S3	S4	S5	S6	S7	S8
— 1 Nm	8,0	3,4	6,3	8,4	7,9	11,6	9,3	5,2

Torque / Efficiency [ Nm / daN ]