



Fixed diameter "S" Clamp

The fixed diameter "S" clamp was designed to ensure the best possible fit of hose and coupling.

This is achieved due to the fact that once the clamp has been mounted and tightened it fits the desired diameter exactly.

The design of this clamp means that it can be used with hoses mounted on metallic or plastic couplings. It is particularly recommended for certain sectors ranging from medical machinery manufacture to the automotive industry.

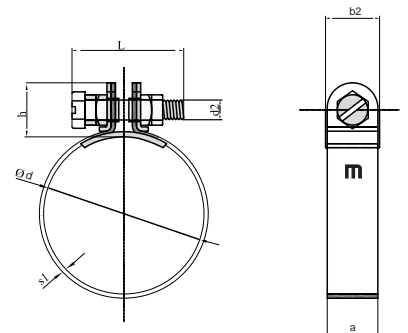
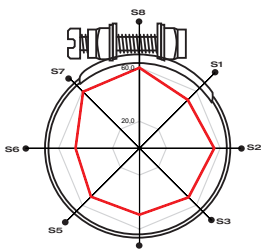
* This clamp can be supplied in diameters up to 120mm and in bandwidths up to 20mm.

W1

Fixed diameter "S" Clamp W1

Application Ød	Article ADF	Part n° W1	a	L max.	d2	b2	s1 +0,2-0,1	Box Quantity (MOQ)	Packing	
mm	inches									
10	25/64	ADF10/9	03032010	9	31	M.4	10,5	0,4	250	1000
11	7/16	ADF11/9	03032029	9	31	M.4	10,5	0,4	250	1000
12	15/32	ADF12/9	03032037	9	31	M.4	10,5	0,4	250	1000
13	33/64	ADF13/9	03032045	9	31	M.4	10,5	0,4	250	1000
14	35/64	ADF14/9	03032053	9	31	M.4	10,5	0,4	250	1000
15	19/32	ADF15/9	03032061	9	31	M.4	10,5	0,4	250	1000
16	5/8	ADF16/9	03032070	9	31	M.4	10,5	0,4	250	1000
17	43/64	ADF17/9	03032088	9	31	M.4	10,5	0,4	250	1000
18	45/64	ADF18/9	03032096	9	31	M.4	10,5	0,4	250	1000
19	3/4	ADF19/9	03032109	9	31	M.4	10,5	0,4	250	1000
20	25/32	ADF20/9	03032117	9	31	M.4	10,5	0,4	250	1000
21	53/64	ADF21/12	03032740	12	35	M.5	14	0,5	250	1000
22	55/64	ADF22/12	03032758	12	35	M.5	14	0,5	250	1000
23	29/32	ADF23/12	03032766	12	35	M.5	14	0,5	250	1000
24	15/16	ADF24/12	03032774	12	35	M.5	14	0,5	250	1000
25	1	ADF25/12	03032782	12	35	M.5	14	0,5	250	1000
26	1-1/32	ADF26/12	03032790	12	35	M.5	14	0,5	250	1000
27	1-1/16	ADF27/12	03032803	12	35	M.5	14	0,5	250	1000
28	1-7/64	ADF28/12	03032811	12	35	M.5	14	0,5	250	250
29	1-9/64	ADF29/12	03032820	12	35	M.5	14	0,5	250	250
30	1-3/16	ADF30/12	03032838	12	35	M.5	14	0,5	250	250
21	53/64	ADF21/15	03033347	15	40	M.6	17	0,6	250	250
23	29/32	ADF23/15	03033363	15	40	M.6	17	0,6	250	250
25	1	ADF25/15	03033380	15	40	M.6	17	0,6	250	250
26	1-1/32	ADF26/15	03033398	15	40	M.6	17	0,6	100	400
31	1-7/32	ADF31/15	03033443	15	40	M.6	17	0,6	100	400
32	1-17/64	ADF32/15	03033451	15	40	M.6	17	0,6	100	400
33	1-19/64	ADF33/15	03033460	15	40	M.6	17	0,6	100	400
34	1-11/32	ADF34/15	03033478	15	40	M.6	17	0,6	100	400
35	1-3/8	ADF35/15	03033486	15	40	M.6	17	0,6	100	400
36	1-27/64	ADF36/15	03033494	15	40	M.6	17	0,6	100	100
44	1-47/64	ADF 44/15	03033574	15	40	M.6	17	0,6	100	100
46	1-13/16	ADF46/15	03033590	15	40	M.6	17	0,6	100	100

W1 Screw: Qst 36-3 Mild steel (DIN 1.0213) Silver-white Cr3 Zinc-Plated **Band and Housing:** Galvanized steel S/EN 10292(DIN 1.0935)



Polar Diagram

Sectors	S1	S2	S3	S4	S5	S6	S7	S8
— 1,5	50,8	55,6	51,6	49,4	51,0	47,5	59,3	59,8

Torque / Efficiency [Nm / daN]