



W1

## ASFA "L" Worm-Drive Clip

Thanks to the exclusive design of the housing, the ASFA "L" W1 Worm-Drive Clip has excellent performance while being at the same time very compact.

The cold-formed stamped band thread, smoothed on the underside, combined with the beveled band edges protects the hose from any damage.

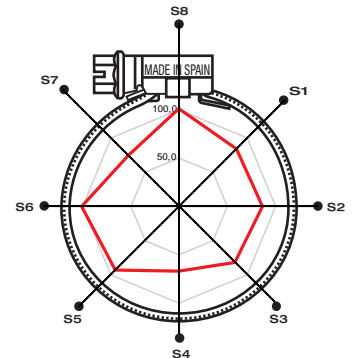
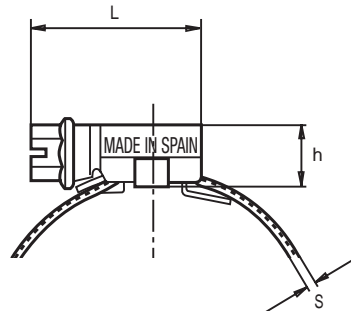
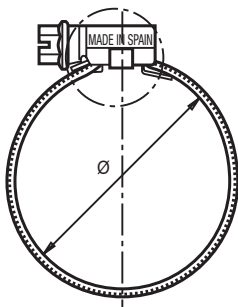
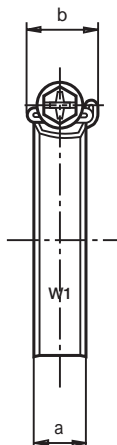
The ASFA "L" W1 hose clip complies fully with the DIN 3017 norm and also with the RoHs directive EU 2002/95/EC dated 1st July 2006. This clip is ideal for general industrial applications.

\* The maximum application pressure can vary depending on the type of hose used and the geometry of the coupling. **Patented Worldwide.**

### ASFA "L" W1 Worm-Drive Clip (9mm bandwidth)

Application Ø		Part nº W1	L max.	s + 0,1 0	h max.	a + 0,3 a - 0,2	b max.	Max. Values* Torque (Nm)	Max. Values* Pressure (Bars)	Box Quantity (MOQ)	Packing
mm	inches										
8-12	5/16-15/32	03008745	17,5	0,65	8,4	7	10,9	1,5	30	200	800
8-16	5/16-5/8	03008753	22,1	0,65	10,5	9	14,0	3,0	45	200	800
12-22	15/32-7/8	03008761	22,1	0,65	10,5	9	14,0	3,0	45	200	800
16-27	5/8-1-1/16	03008770	23,6	0,75	10,5	9	14,0	3,5	42	200	800
20-32	25/32-1-1/4	03008788	23,6	0,75	10,5	9	14,0	3,5	36	200	800
25-40	1-1-9/16	03008796	25,6	0,75	10,5	9	14,0	4,0	32	100	800
30-45	1-3/16-1-3/4	03008809	25,6	0,75	10,5	9	14,0	4,0	28	100	800
32-50	1-1/4-1-31/32	03008817	25,6	0,75	10,5	9	14,0	4,0	24	100	800
40-60	1-9/16-2-3/8	03008825	25,6	0,75	10,5	9	14,0	4,0	19	100	400
50-70	1-31/32-2-3/4	03008833	29,6	0,75	10,5	9	14,0	4,0	17	100	100
60-80	2-3/8-3-1/8	03008841	29,6	0,75	10,5	9	14,0	4,0	15	100	100
70-90	2-3/4-3-1/2	03008850	29,6	0,75	10,5	9	14,0	4,0	13	50	400
80-100	3-1/8-3-15/16	03008868	29,6	0,75	10,5	9	14,0	4,0	11	50	400
90-110	3-1/2-4-5/16	03008876	29,6	0,75	10,5	9	14,0	4,0	10	25	200
100-120	3-15/16-4-23/32	03008884	29,6	0,75	10,5	9	14,0	4,0	9	25	200
110-130	4-5/16-5-1/8	03008892	29,6	0,75	10,5	9	14,0	4,0	8	25	25
120-140	4-23/32-5-1/2	03008905	29,6	0,75	10,5	9	14,0	4,0	7	25	25
130-150	5-1/8-5-29/32	03008913	29,6	0,75	10,5	9	14,0	4,0	6	25	25
140-160	5-1/2-6-5/16	03008921	29,6	0,75	10,5	9	14,0	4,0	5	25	25

**W1 Screw:** Qst 36-3 Mild steel (DIN 1.0213) Silver-white Cr3 Zinc-Plated **Band and Housing:** Galvanized steel S/EN 10292 (DIN 1.0935)



#### Polar Diagram

● Sectors	S1	S2	S3	S4	S5	S6	S7	S8
— 4 Nm	84,1	86,2	81,8	66,8	93,3	100,8	74,8	101,1

Torque / Efficiency [ Nm / daN ]