



## ASFA "L" Worm-Drive Clip

Thanks to the exclusive design of the housing, the ASFA "L" W3 hose clip has excellent performance while being at the same time very compact.

The cold-formed stamped band thread, smoothed on the underside, combined with the beveled band edges protects the hose from any damage.

The ASFA "L" W3 hose clip complies fully with the DIN 3017 norm and also with the RoHs directive EU 2002/95/EC dated 1st July 2006. ASFA "L" W3 is specially recommended for use in the automotive industry.

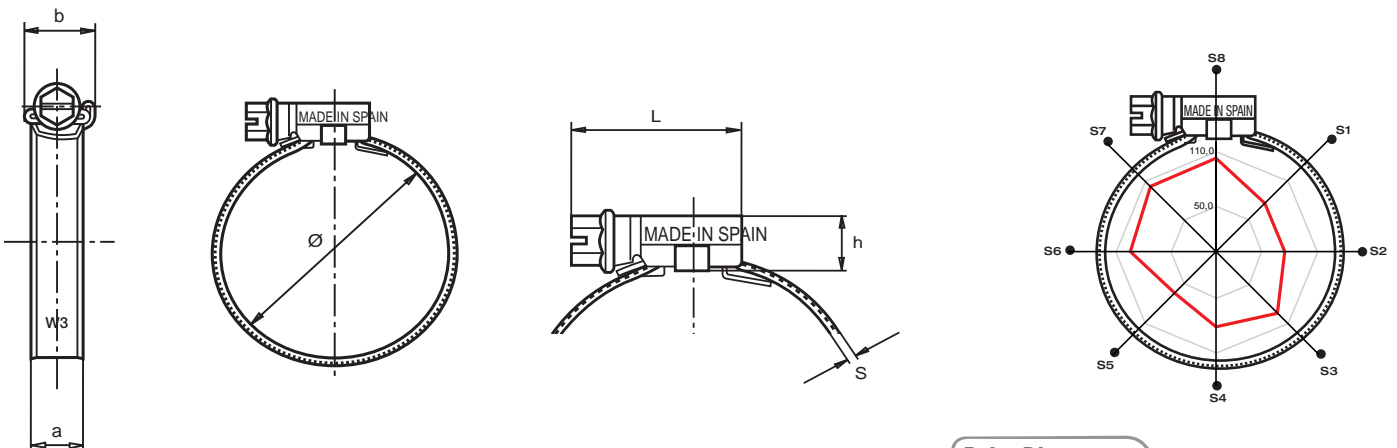
\* The maximum application pressure can vary depending on the type of hose used and the geometry of the coupling.  
**Patented Worldwide.**

**W3**

### ASFA "L" W3 Worm-Drive Clip (9mm bandwidth)

Application Ø mm inches	Part nº W3	L max.	s + 0,1 0	h max.	a + 0,3 a - 0,2	b max.	Max. Values* Torque (Nm)	Max. Values* Pressure (Bars)	Box Quantity (MOQ)	Packing	
8-16	5/16-5/8	03016014	22,1	0,65	10,5	9	14,0	3,0	45	200	800
12-22	15/32-7/8	03016022	22,1	0,65	10,5	9	14,0	3,0	45	200	800
16-27	5/8-1-1/16	03016030	23,6	0,75	10,5	9	14,0	3,5	42	200	800
20-32	25/32-1-1/4	03016049	23,6	0,75	10,5	9	14,0	3,5	36	200	800
25-40	1-1-9/16	03016065	25,6	0,75	10,5	9	14,0	4,0	32	100	800
30-45	1-3/16-1-3/4	03016073	25,6	0,75	10,5	9	14,0	4,0	28	100	800
32-50	1-1/4-1-31/32	03016081	25,6	0,75	10,5	9	14,0	4,0	24	100	800
40-60	1-9/16-2-3/8	03016090	25,6	0,75	10,5	9	14,0	4,0	19	100	400
50-70	1-31/32-2-3/4	03016102	29,6	0,75	10,5	9	14,0	4,0	17	100	100
60-80	2-3/8-3-1/8	03016110	29,6	0,75	10,5	9	14,0	4,0	15	100	100
70-90	2-3/4-3-1/2	03016129	29,6	0,75	10,5	9	14,0	4,0	13	50	400
80-100	3-1/8-3-15/16	03016137	29,6	0,75	10,5	9	14,0	4,0	11	50	400
90-110	3-1/2-4-5/16	03016145	29,6	0,75	10,5	9	14,0	4,0	10	25	200
100-120	3-15/16-4-23/32	03016153	29,6	0,75	10,5	9	14,0	4,0	9	25	200
110-130	4-5/16-5-1/8	03016161	29,6	0,75	10,5	9	14,0	4,0	8	25	25
120-140	4-23/32-5-1/2	03016170	29,6	0,75	10,5	9	14,0	4,0	7	25	25
130-150	5-1/8-5-29/32	03016188	29,6	0,75	10,5	9	14,0	4,0	6	25	25
140-160	5-1/2-6-5/16	03016196	29,6	0,75	10,5	9	14,0	4,0	5	25	25

**W3 Screw:** Stainless steel (AISI 430) **Band and Housing:** Stainless steel X6Cr17 (DIN 1.4016)(AISI-430)



#### Polar Diagram

● Sectors	S1	S2	S3	S4	S5	S6	S7	S8
— 4 Nm	75,1	74,5	93,6	80,4	63,9	96,3	102,0	103,0

Torque / Efficiency [ Nm / daN ]