



ASFA "L" Worm-Drive Clip

Thanks to the exclusive design of the housing, the ASFA "L" W4 hose clip has excellent performance while being at the same time very compact.

The cold-formed stamped band thread, smoothed on the underside, combined with beveled band-edges protects the hose from damage.

The ASFA "L" W4 hose clip complies fully with the DIN 3017 norm and also with the RoHs directive EU 20032/95/EC dated 1st July 2006. This clip is ideally for use in the marine industry, due to the corrosion resistance offered by the use of AISI-304 stainless steel in its manufacture.

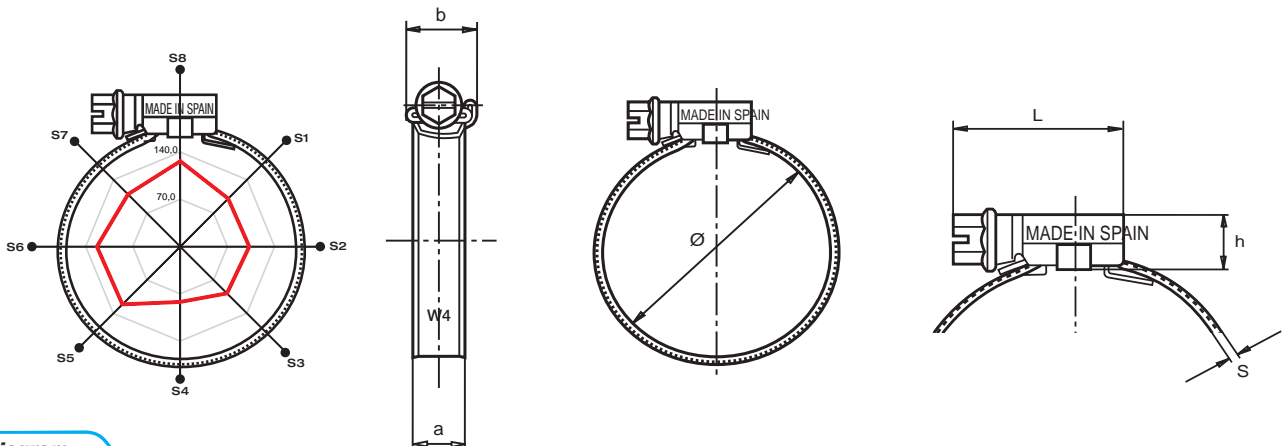
* The maximum application pressure can vary depending on the type of hose used and the geometry of the coupling.
Patented Worldwide.

W4

ASFA "L" W4 Worm-Drive Clip (9mm bandwidth)

Application Ø	Part n°	L max.	s + 0,1 0	h max.	a + 0,3 a - 0,2	b max.	Max. Values* Torque (Nm)	Max. Values* Pressure (Bars)	Box Quantity (MOQ)	Packing	
mm	inches										
8-12	5/16-15/32	03014000	17,5	0,65	8,4	7	10,9	1,5	30	200	800
8-16	5/16-5/8	03014019	22,1	0,65	10,5	9	14,0	3,0	45	200	800
12-22	15/32-7/8	03014027	22,1	0,65	10,5	9	14,0	3,0	45	200	800
16-27	5/8-1-1/16	03014035	23,6	0,75	10,5	9	14,0	3,5	42	200	800
20-32	25/32-1-1/4	03014043	23,6	0,75	10,5	9	14,0	3,5	36	200	800
25-40	1-1-9/16	03014051	25,6	0,75	10,5	9	14,0	4,0	32	100	800
30-45	1-3/16-1-3/4	03014060	25,6	0,75	10,5	9	14,0	4,0	28	100	800
32-50	1-1/4-1-31/32	03014078	25,6	0,75	10,5	9	14,0	4,0	24	100	800
40-60	1-9/16-2-3/8	03014086	25,6	0,75	10,5	9	14,0	4,0	19	100	400
50-70	1-31/32-2-3/4	03014094	29,6	0,75	10,5	9	14,0	4,0	17	100	100
60-80	2-3/8-3-1/8	03014107	29,6	0,75	10,5	9	14,0	4,0	15	100	100
70-90	2-3/4-3-1/2	03014115	29,6	0,75	10,5	9	14,0	4,0	13	50	400
80-100	3-1/8-3-15/16	03014123	29,6	0,75	10,5	9	14,0	4,0	11	50	400
90-110	3-1/2-4-5/16	03014140	29,6	0,75	10,5	9	14,0	4,0	10	25	200
100-120	3-15/16-4-23/32	03014158	29,6	0,75	10,5	9	14,0	4,0	9	25	200
110-130	4-5/16-5-1/8	03014166	29,6	0,75	10,5	9	14,0	4,0	8	25	25
120-140	4-23/32-5-1/2	03014174	29,6	0,75	10,5	9	14,0	4,0	7	25	25
130-150	5-1/8-5-29/32	03014182	29,6	0,75	10,5	9	14,0	4,0	6	25	25
140-160	5-1/2-6-5/16	03014190	29,6	0,75	10,5	9	14,0	4,0	5	25	25

W4 Screw: Stainless steel (AISI-304) Cu (A2) **Band and Housing:** X5CrNi1810 Stainless steel (DIN 1.4301) (AISI-304) (A2)



Polar Diagram

● Sectors	S1	S2	S3	S4	S5	S6	S7	S8
— 4 Nm	100,5	102,5	98,1	82,1	121,2	123,5	109,5	126,5

Torque / Efficiency [Nm / daN]