



**W1**

## Super Heavy-Duty Hose Clamp

Mikalor was the first company to design and produce a heavy-duty hose clamp, and since then the Super clamp has gone from strength to strength.

The high strength 8.8 grade steel nut and T-bolt mean that Super can be tightened up hard using many different kinds of tools, while the beveled edges protect the hose from harm.

The Super clamp is in its element in agricultural applications, waste water extraction, mining, quarrying or in other sectors where a rugged yet competitively priced heavy-duty clamp is required.

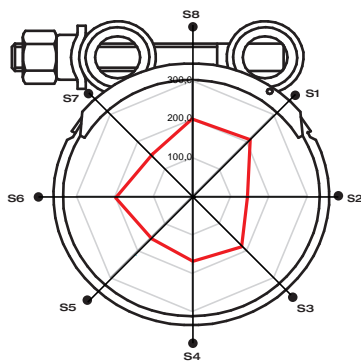
\* The maximum application pressure can vary depending on the type of hose used and the geometry of the coupling.  
**Patented Worldwide.**

### Super W1

Application Ø mm	Application Ø inches	Part n° W1	r	e	a	b	s	Max. Values* Torque (Nm)	Max. Values* Pressure (Bars)	Box Quantity (MOQ)	Packing
17-19	11/16-3/4	03018263	M5	8	18 <sup>+02</sup>	19,8	0,6	4,5	48	50	400
20-22	25/32-29/32	03018271	M5	8	18 <sup>+02</sup>	19,8	0,6	4,5	48	50	400
23-25	29/32-1	03018280	M5	8	18 <sup>+02</sup>	19,8	0,6	4,5	45	50	400
26-28	1-1/32-1-7/64	03018298	M5	8	18 <sup>+02</sup>	19,8	0,6	4,5	45	50	400
29-31	1-5/32-1-7/32	03018300	M6	10	20 <sup>+03</sup>	22	0,8	8	42	50	50
32-35	1-17/64-1-3/8	03018319	M6	10	20 <sup>+03</sup>	22	0,8	8	42	50	50
36-39	1-27/64-1-17/32	03018327	M6	10	20 <sup>+03</sup>	22	0,8	8	40	50	50
40-43	1-9/16-1-11/16	03018335	M6	10	20 <sup>+03</sup>	22	0,8	8	40	50	50
44-47	1-47/64-1-27/32	03018010	M7	11	22 <sup>-02</sup>	24,5	1,2	16	44	50	50
48-51	1-57/64-2-1/64	03018028	M7	11	22 <sup>-02</sup>	24,5	1,2	16	44	50	50
52-55	2-3/64-2-11/64	03018036	M7	11	22 <sup>-02</sup>	24,5	1,2	16	40	25	25
56-59	2-13/64-2-21/64	03018044	M7	11	22 <sup>-02</sup>	24,5	1,2	16	40	25	25
60-63	2-23/64-2-31/64	03018052	M7	11	22 <sup>-02</sup>	24,5	1,2	16	36	25	25
64-67	2-33/64-2-41/64	03018060	M7	11	22 <sup>-02</sup>	24,5	1,2	16	36	25	25
68-73	2-11/16-3-7/8	03018079	M8	13	24 <sup>+04</sup>	26,5	1,5	25	28	25	25
74-79	2-29/32-3-7/64	03018087	M8	13	24 <sup>+04</sup>	26,5	1,5	25	28	25	25
80-85	3-5/32-3-11/32	03018095	M8	13	24 <sup>+04</sup>	26,5	1,5	25	28	25	25
86-91	3-25/64-3-37/64	03018108	M8	13	24 <sup>+04</sup>	26,5	1,5	25	20	25	25
92-97	3-5/8-3-13/16	03018116	M8	13	24 <sup>+04</sup>	26,5	1,5	25	20	25	25

Application Ø		Part n° W1	r	e	a	b	s	Max. Values* Torque (Nm)	Max. Values* Pressure (Bars)	Box Quantity (MOQ)	Packing
mm	inches										
98-103	3-55/64-4-1/16	03018124	M8	13	24 <sup>+04</sup>	26,5	1,5	25	20	25	25
104-112	4-3/32-4-3/8	03018132	M8	13	24 <sup>+04</sup>	26,5	1,5	25	12	25	25
113-121	4-29/64-4-49/64	03018140	M8	13	24 <sup>+04</sup>	26,5	1,5	25	12	25	25
122-130	4-51/64-5-1/8	03018159	M8	13	24 <sup>+04</sup>	26,5	1,5	25	12	25	25
131-139	5-5/32-5-15/32	03018167	M10	17	26 <sup>+05</sup>	29	1,7	50	9	10	10
140-148	5-33/64-5-53/64	03018175	M10	17	26 <sup>+05</sup>	29	1,7	50	9	10	10
149-161	5-55/64-6-11/32	03018183	M10	17	26 <sup>+05</sup>	29	1,7	50	9	10	10
162-174	6 3/8-6-7/8	03018191	M10	17	26 <sup>+05</sup>	29	1,7	50	6	10	10
175-187	6-57/64-7-23/64	03018204	M10	17	26 <sup>+05</sup>	29	1,7	50	6	10	10
188-200	7-13/32-7-7/8	03018212	M10	17	26 <sup>+05</sup>	29	1,7	50	6	10	10
201-213	7-29/32-8-25/64	03018220	M10	17	26 <sup>+05</sup>	29	1,7	50	3	10	10
214-226	8-27/64-8-57/64	03018239	M10	17	26 <sup>+05</sup>	29	1,7	50	3	10	10
227-239	8-15/16-9-13/32	03018247	M10	17	26 <sup>+05</sup>	29	1,7	50	3	10	10
240-252	9-29/64-9-59/64	03018255	M10	17	26 <sup>+05</sup>	29	1,7	50	3	10	10

**W1 Screw:** 8.8 grade steel, white zinc-plated **Band, Bridge, Washer and Trunions:** Mild steel white zinc-plated



**Polar Diagram**

● Sectors	S1	S2	S3	S4	S5	S6	S7	S8
— 35 Nm	207,0	144,0	192,0	168,0	155,0	198,0	145,0	194,0

Torque / Efficiency [ Nm / daN ]

