



W5

Supra Heavy-Duty Hose Clamp AISI-316 Stainless Steel

The Supra range is the natural evolution of the Super W1 clamp. Due to its revolutionary swiveling bridge, the Supra W5 clamp can be mounted in the most awkward applications without having to remove the hose. Once mounted, it can be opened up and fastened again without dislodging or losing any of the other components of the clamp, making assembly much easier.

Thanks to the beveled edges, the hose is protected from damage. The Supra W5 clamp complies fully with RoHS directive EU 2002/95/EC dated 1st July 2006. The AISI 316 stainless steel bolt together with the captive nut and spacer system allow you to clamp the most demanding of assemblies. Supra W5 is a full stainless steel clamp destined for demanding applications where very high corrosion resistance is vital. This top of the range heavy-duty clamp is ideal for marine applications, foodstuff manufacture, pharmaceutical and petrochemical industries and other applications where AISI 316 stainless steel fittings are required.

* Special dimensions are available on request.

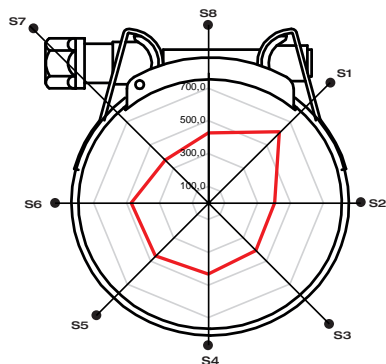
* The maximum application pressure can vary depending on the type of hose used and the geometry of the coupling
Patented Worldwide.

Supra W5

Application Ø		Part n° W5	r	e	a	b	Max. Values* Torque (Nm)	Max. Values* Pressure (Bars)	Box Quantity (MOQ)	Packing
mm	inches									
17-19	11/16-3/4	03013614	M6	8	18 ⁺⁰²	19,8	10	40	50	400
19-21	3/4-53/64	03013622	M6	8	18 ⁺⁰²	19,8	10	40	50	400
21-23	53/64-29/32	03013630	M6	8	18 ⁺⁰²	19,8	10	40	50	400
23-25	29/32-1	03013649	M6	8	18 ⁺⁰²	19,8	10	40	50	400
25-27	1-1-1/16	03013657	M6	8	18 ⁺⁰²	19,8	10	40	50	400
27-29	1-1/16-15/32	03013665	M6	8	18 ⁺⁰²	19,8	10	40	50	200
29-31	1-5/32-1-7/32	03013673	M7	11	20 ⁺⁰³	22	12	35	50	50
31-34	17/32-1-11/32	03013681	M7	11	20 ⁺⁰³	22	12	35	50	50
34-37	1-11/32-1-29/64	03013690	M7	11	20 ⁺⁰³	22	12	35	50	50
37-40	1-29/64-19/16	03013702	M7	11	20 ⁺⁰³	22	12	35	50	50
40-43	1-9/16-1-11/16	03013710	M7	11	20 ⁺⁰³	22	12	35	50	50
43-47	1-11/16-1-27/32	03013729	M7	11	20 ⁺⁰³	22	12	35	50	50
47-51	1-27/32-2-1/64	03013737	M7	11	20 ⁺⁰³	22	16	30	50	50
51-55	2-1/64-2-11/64	03013745	M7	11	20 ⁺⁰³	22	16	30	25	25
55-59	2-11/64-2-21/64	03013753	M7	11	20 ⁺⁰³	22	16	30	25	25
59-63	2-21/64-2-31/64	03013761	M7	11	20 ⁺⁰³	22	16	30	25	25
63-68	2-31/64-2-11/16	03013770	M7	11	20 ⁺⁰³	22	16	30	25	25
68-73	2-11/16-3-7/8	03013788	M8	13	25 ⁺⁰⁴	27,5	30	20	25	25
73-79	3-7/8-3-7/64	03013796	M8	13	25 ⁺⁰⁴	27,5	30	20	25	25
79-85	3-7/64-3-11/32	03013809	M8	13	25 ⁺⁰⁴	27,5	30	20	25	25
85-91	3-11/32-3-37/64	03013817	M8	13	25 ⁺⁰⁴	27,5	30	15	25	25
91-97	3-37/64-3-13/16	03013825	M8	13	25 ⁺⁰⁴	27,5	30	15	25	25
97-104	3-13/16-4-3/32	03013833	M8	13	25 ⁺⁰⁴	27,5	30	15	25	25
104-112	4-3/32-4-3/8	03013841	M8	13	25 ⁺⁰⁴	27,5	30	10	25	25
112-121	4-3/8-4-49/64	03013850	M8	13	25 ⁺⁰⁴	27,5	30	10	25	25
121-130	4-49/64-5-1/8	03013868	M8	13	25 ⁺⁰⁴	27,5	30	10	25	25
130-140	5-1/8-5-33/64	03013876	M10	15	28 ⁺⁰⁴	31	45	6	10	10
140-150	5-33/64-5-29/32	03013884	M10	15	28 ⁺⁰⁴	31	45	6	10	10
150-162	5-29/32-6-3/8	03013892	M10	15	28 ⁺⁰⁴	31	45	6	10	10
162-174	6-3/8-6-7/8	03013905	M10	15	28 ⁺⁰⁴	31	45	3	10	10
174-187	6-7/8-7-23/64	03013913	M10	15	28 ⁺⁰⁴	31	45	3	10	10
187-200	7-23/64-7-7/8	03013921	M10	15	28 ⁺⁰⁴	31	45	3	10	10

Application Ø		Part n° W5	r	e	a	b	Max. Values* Torque (Nm)	Max. Values* Pressure (Bars)	Box Quantity (MOQ)	Packing
mm	inches									
200-213	7-7/8-8-25/64	03013930	M10	15	28 ⁺⁰⁴	31	45	3	10	10
213-226	8-25/64-8-57/64	03013948	M10	15	28 ⁺⁰⁴	31	45	3	10	10
226-239	8-57/64-9-13/32	03013956	M10	15	28 ⁺⁰⁴	31	45	3	10	10
239-252	9-13/32-9-59/64	03013964	M10	15	28 ⁺⁰⁴	31	45	3	10	10
252-265	9-59/64-10-7/16	03013971	M10	15	28 ⁺⁰⁴	31	45	3	10	10
265-278	10-7/16-10-151/6	03013981	M10	15	28 ⁺⁰⁴	31	45	3	10	10
278-291	10-15/16-11-29/64	03013982	M10	15	28 ⁺⁰⁴	31	45	3	10	10
291-304	11-29/64-11-31/32	03013983	M10	15	28 ⁺⁰⁴	31	45	3	10	10
304-317	11-31/32-12-31 /64	03013984	M10	15	28 ⁺⁰⁴	31	45	3	10	10
317-330	12-31/64-12-63/64	03013985	M10	15	28 ⁺⁰⁴	31	45	3	10	10
330-343	12-63/64-13-1/2	03013986	M10	15	28 ⁺⁰⁴	31	45	3	10	10
343-356	13-1/2-14-1/64	03013991	M10	15	28 ⁺⁰⁴	31	45	3	10	10
356-36*9	14-1/64-14-17/32	03013992	M10	15	28 ⁺⁰⁴	31	45	3	10	10
369-382	14-17/32-15-3/64	03013993	M10	15	28 ⁺⁰⁴	31	45	3	10	10
382-395	15-3/64-15-35/64	03013994	M10	15	28 ⁺⁰⁴	31	45	3	10	10
395-408	15-35/64-16-1/16	03013995	M10	15	28 ⁺⁰⁴	31	45	3	10	10

W5 Band and Bridge: X5 Cr Ni MO 17.12.2 (DIN 1.4401) (AISI-316) (A4) **Bolt:** (AISI-316) Cu (A4) Stainless steel



Polar Diagram

● Sectors	S1	S2	S3	S4	S5	S6	S7	S8
— 35 Nm	611,0	404,0	410,0	435,0	456,0	472,0	372,0	428,0

Torque / Efficiency [Nm / daN]

