



ASFA "S"-“Ti” Titanium Worm-Drive Clip

The fact that this clamp is manufactured entirely in titanium, combined with the innovative design of the housing and the 12mm bandwidth mean that this clamp gives the best comparative weight, performance and corrosion resistance ratio of any worm-drive clip in the world. We use revolutionary manufacturing processes in order to manufacture dimensions ranging from 16-27mm up to 220-240mm. Due to the exceptional characteristics of this clamp, it is suitable for use in high performance automotive applications, offshore, aeronautics and in the chemical industry, especially in applications involving acids. Each clamp is subject to individual quality control before packing.

Conforms to all current EU directives and norms.

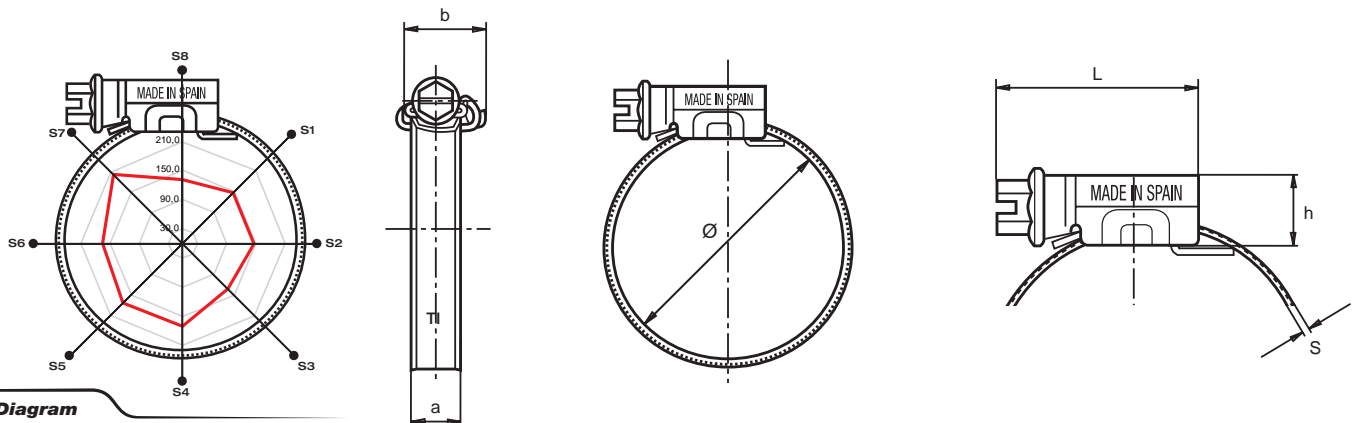
* The maximum application pressure can vary depending on the type of hose used and the geometry of the coupling. **Patented Worldwide.**

TI

100% Titanium Worm-Drive Clip (12mm bandwidth)

Application Ø mm	Application Ø inches	Part n° TI	L max.	s +0,1 0	h	a + 0,4 a - 0,2	b max.	Max. Values* Torque (Nm)	Max. Values* Pressure (Bars)	Box Quantity (MOQ)	Packing
16-27	5/8-1-1/16	03009502	29,6	1,0	11	12,2	16,6	4,5	47,0	4	4
20-32	25/32-1-1/4	03009510	29,6	1,0	11	12,2	16,6	5,5	47,0	4	4
25-40	1-1-9/16	03009529	29,6	1,0	11	12,2	16,6	5,5	42,0	4	4
30-45	1-3/16-1-3/4	03009537	29,6	1,0	11	12,2	16,6	5,5	37,0	4	4
32-50	1-1/4-1-31/32	03009545	29,6	1,0	11	12,2	16,6	6,5	37,0	4	4
40-60	1-9/16-2-3/8	03009553	29,6	1,0	11	12,2	16,6	6,5	32,0	4	4
50-70	1-31/32-2-3/4	03009561	29,6	1,0	11	12,2	16,6	7,0	26,0	4	4
60-80	2-23/64-3-5/32	03009570	29,6	1,0	11	12,2	16,6	7,0	21,0	4	4
70-90	2-3/4-3-35/64	03009588	29,6	1,0	11	12,2	16,6	7,0	18,0	4	4
80-100	3-5/32-3-15/16	03009596	29,6	1,0	11	12,2	16,6	7,0	15,0	4	4
90-110	3-15/16-4-23/32	03009609	29,6	1,0	11	12,2	16,6	7,0	13,0	4	4
100-120	4-23/32-5-33/64	03009617	29,6	1,0	11	12,2	16,6	7,0	11,0	4	4
110-130	5-33/64-6-19/64	03009625	29,6	1,0	11	12,2	16,6	7,0	8,5	4	4
120-140	5-29/32-6-11/16	03009633	29,6	1,0	11	12,2	16,6	7,0	7,4	4	4
130-150	5-29/32-6-11/16	03009641	29,6	1,0	11	12,2	16,6	7,0	6,3	4	4
140-160	6-5/16-7-3/32	03009650	29,6	1,0	11	12,2	16,6	7,0	6,3	4	4
150-170	6-11/16-7-15/32	03009668	29,6	1,0	11	12,2	16,6	7,0	5,3	4	4
160-180	7-3/32-7-7/8	03009676	29,6	1,0	11	12,2	16,6	7,0	4,2	4	4
170-190	7-31/64-8-17/64	03009684	29,6	1,0	11	12,2	16,6	7,0	3,2	4	4
180-200	7-7/8-8-21/32	03009692	34,6	1,0	11	12,2	18,0	7,0	2,1	4	4
190-210	8-17/64-9-1/16	03009705	34,6	1,0	11	12,2	18,0	7,0	1,9	4	4
200-220	8-21/32-9-9/64	03009713	34,6	1,0	11	12,2	18,0	7,0	1,9	4	4
210-230	8-17/64-9-1/16	03009721	34,6	1,0	11	12,2	18,0	7,0	1,7	4	4
220-240	8-21/32-9-9/64	03009730	34,6	1,0	11	12,2	18,0	7,0	1,7	4	4

TI Screw: Ti-3 (3.7055) S/ ASTM B 265-79 **Band:** Ti-2 (3.7035) S/ ASTM B 265-79 **Housing:** Ti-1 (3.7025) S/ ASTM B 265-79
Surface Treatment: PTFE



Polar Diagram

● Sectors	S1	S2	S3	S4	S5	S6	S7	S8
— 5 Nm	131,4	147,0	149,2	131,5	169,8	173,5	164,5	200,7

Torque / Efficiency [Nm / daN]